

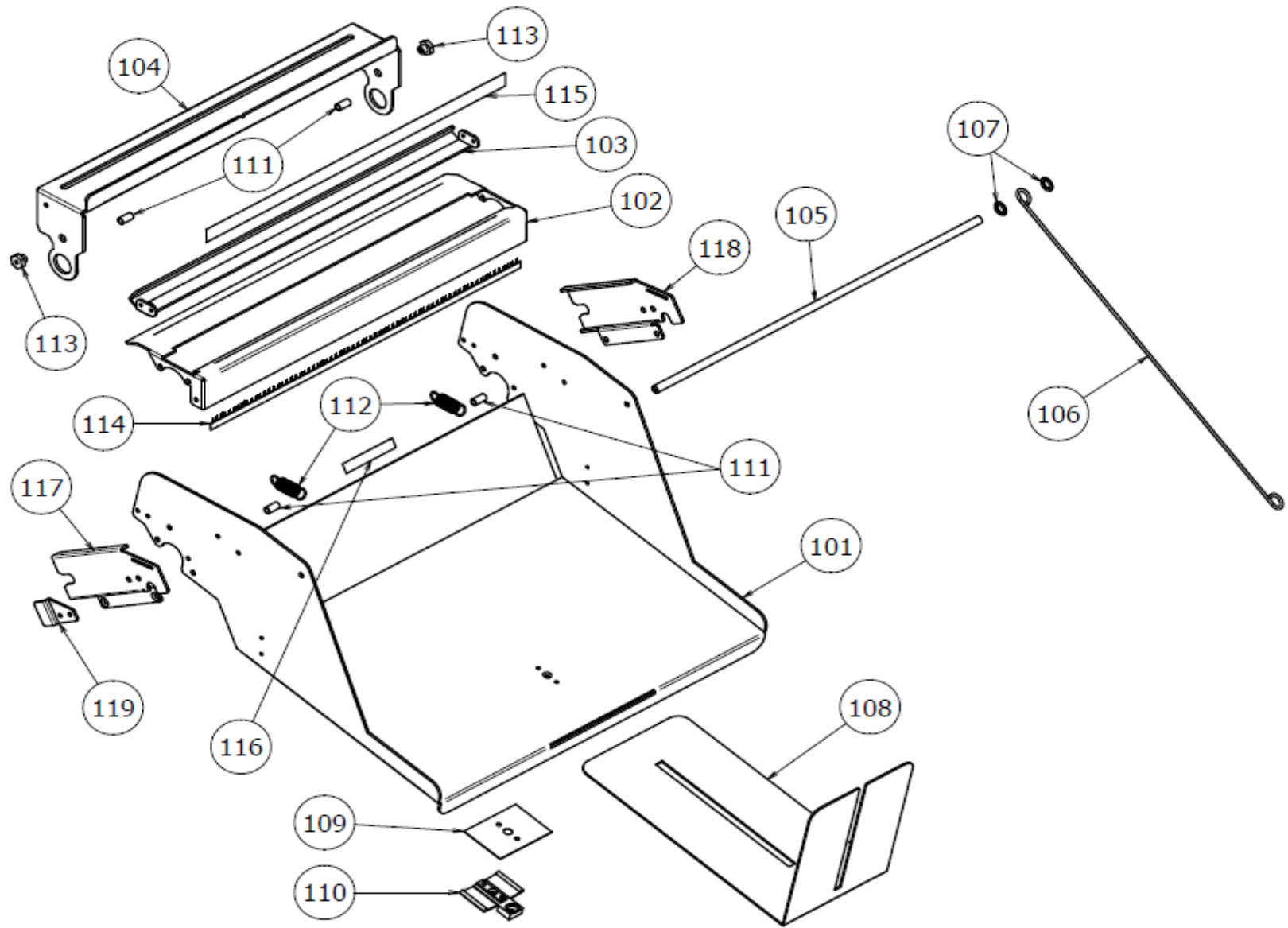
**UCHIDA**

## Parts List

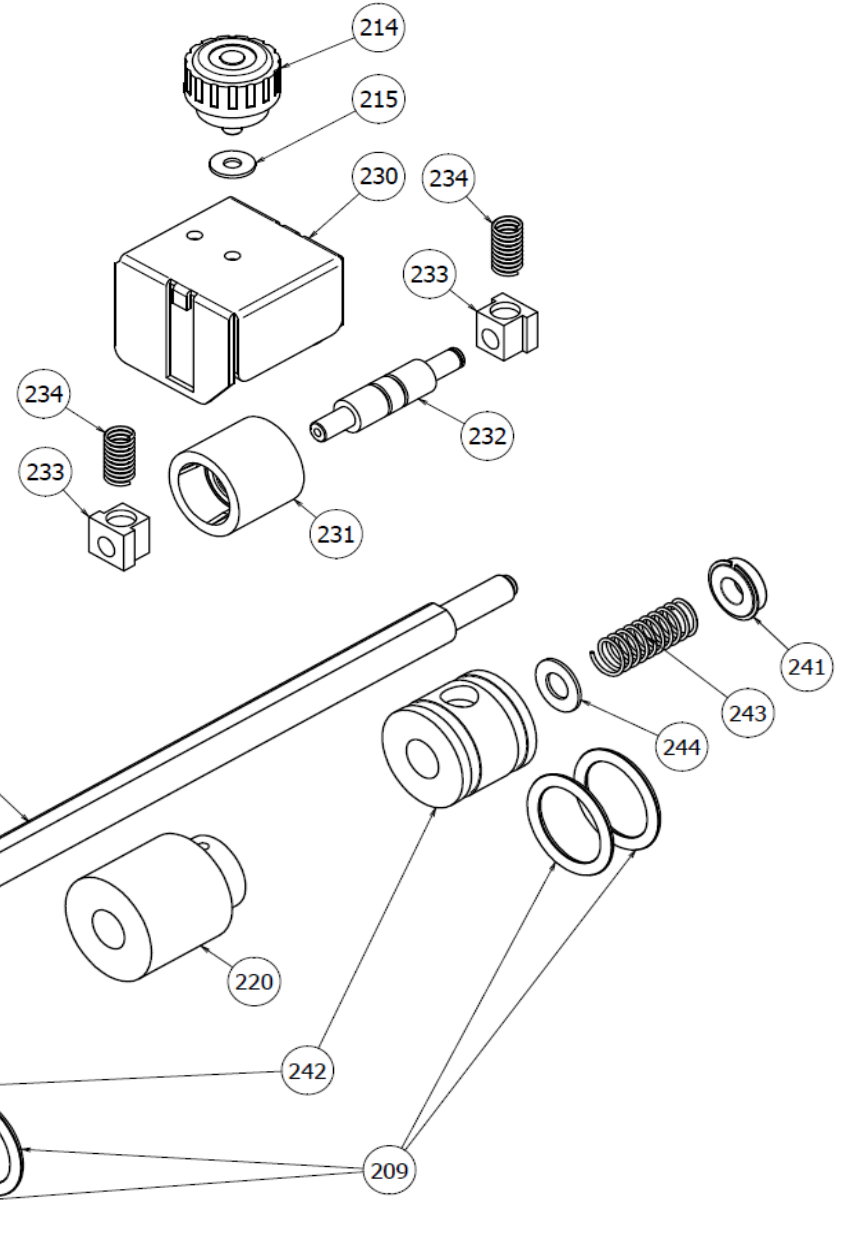
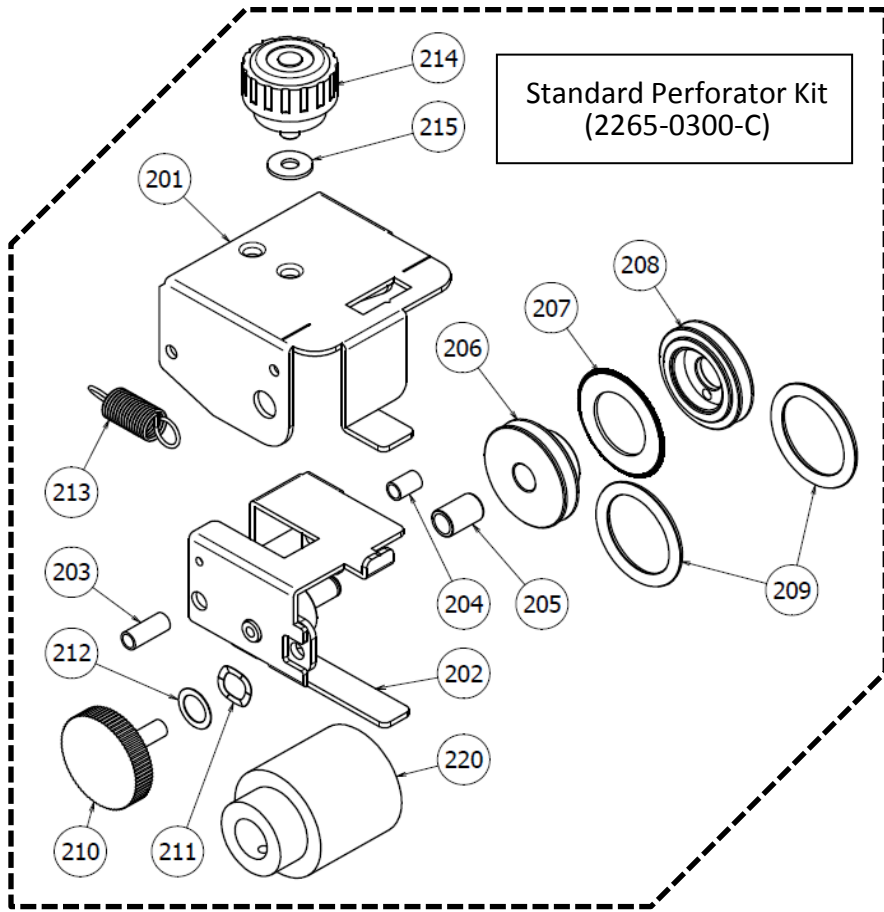
Perforation & Scoring Unit  
for  
Paper Folders

<b>1. Exploded view</b>	
1-1. Base Unit .....	3
1-2. Perforating Unit .....	4
<b>2. Parts List .....</b>	<b>5</b>
<b>3. Thick-Paper Perforating Unit (Option)</b>	
3-1. Exploded view .....	6
3-2. Parts List .....	7
<b>4. Slim-Perforating Unit (Option)</b>	
4-1. Exploded view .....	8
4-2. Parts List .....	9
<b>5. Scoring Unit (Option)</b>	
5-1. Exploded view .....	10
5-2. Parts List .....	11

1-1. Base Unit



# 1-2. Perforating Unit

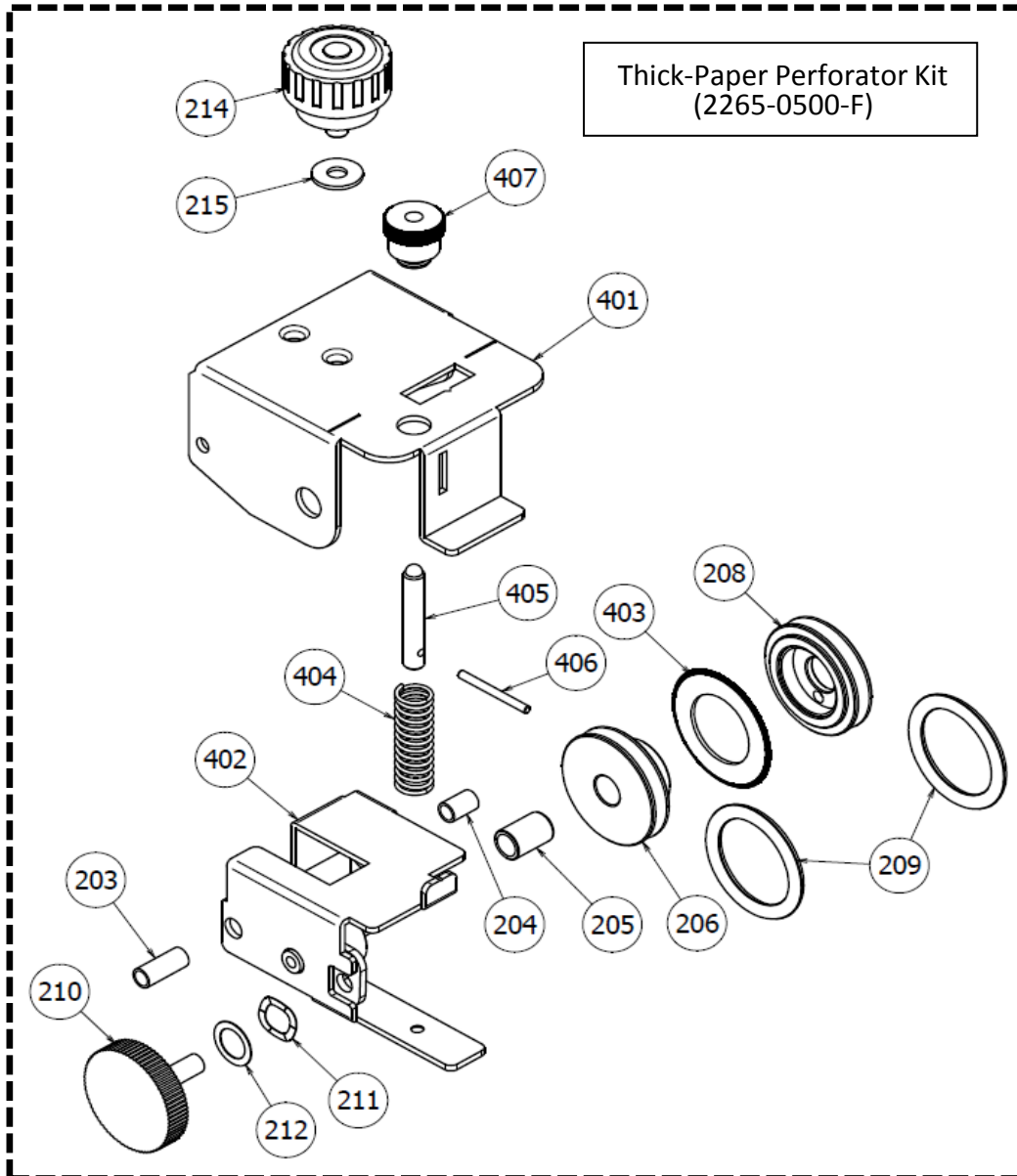


## 2. Parts List:Perforation Unit

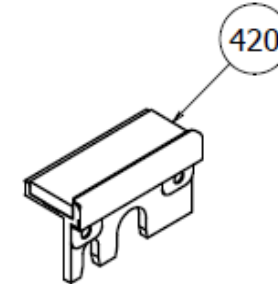
Sep.16.2016

No.	Parts No.	Parts name	QTY		Remarks	No.	Parts No.	Parts name	QTY		Remarks
101	1265-0001	Base	1			212	1265-0107	Polystyrene washer	1		
102	1265-0002	Lower paper guide	1			213	1265-0025	Blade SP	1		
103	1265-0004	Upper guide	1			214	1265-0033	Thumb screw_Misumi	3		
104	1265-0003	Slide angle	1			215	1265-0112	Set-washer	3		
105	1265-0005	Wire mount shaft	1								
106	1265-0006	Paper control wire	1			220	1265-0024	Blade receipt roller	1		
107	1265-0105	Wire rubber ring	2								
108	1265-0007	Paper stop	1								
109	0020-9950	Paper stopper PP	1			230	1265-0021	Transport roller chassis	2		
110	0055-1130	Paper stopper guide	1			231	4147-0143	Upper transport roller	2		0031-5080
111	1265-0111	Spacer L10	4				0031-5080	Bearing 6800ZZ	2		
112	1265-0011	Reverse SP	2			232	1265-0010	Upper carriage roller shaft	2		
113	1265-0014	SP shaft	2			233	0145-1170	Transport roller bearing A	4		
114	0145-1890	Anti-Static brush	1			234	0145-1200	Tension SP	4		
115	1265-0028	Guide scale [Unit:mm]	1		Please select one of the "mm" or "inch".						
	1265-0031	Guide scale [Unit:inch]	1								
116	0100-7070	Roller caution label	1			240	1265-0008	Carriage shaft	1		
117	1265-0026	Connecting stay Left	1			241	0020-9680	Bearing SC890ZZNR	2		
118	1265-0027	Connecting stay Right	1			242	1265-0009	Lower carriage roller	2		No.209
119	1265-0036	Switching plate	1			(209)	0261-0307	Rubber ring NPS24	4		
						243	0145-2330	Transport shaft SP	1		
						244	0145-2340	Transport shaft SP collar	1		
	2265-0300-C	Standard perforator kit			Configure at No.201~220.						
201	1265-0015	Perforator chassis	1								
202	1265-0016	Release lever ASSY	1				<b>【Accessories】</b>				
	1265-0017	Release lever	1				0261-0320	Screw driver +No.2	1		
	1265-0018	Perforator shaft	1		Component parts of No.202.		8998-0028	Plastic bag #12	1		
	1265-0029	Adjustment nut	1				-	Operation manual	1		
203	1265-0110	Spacer L13	1								
204	1265-0109	Spacer L8	1								
205	1265-0215	Polymer bearing	1								
206	1265-0206	Cutter boss	1								
207	2265-0171	Perforating blade Φ32	1								
208	1265-0207	Fixing wheel	1								
209	0261-0307	Rubber ring NPS24	2								
210	1265-0030	Adjustment knob	1								
211	1265-0108	Waved washer Φ8	1								

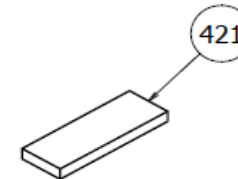
### 3-1. Thick-Paper Perforating Unit



Separator rubber ASSY  
for Thick-Paper  
(1265-0161A)



Separator rubber  
for Thick-Paper  
(0145-1810)

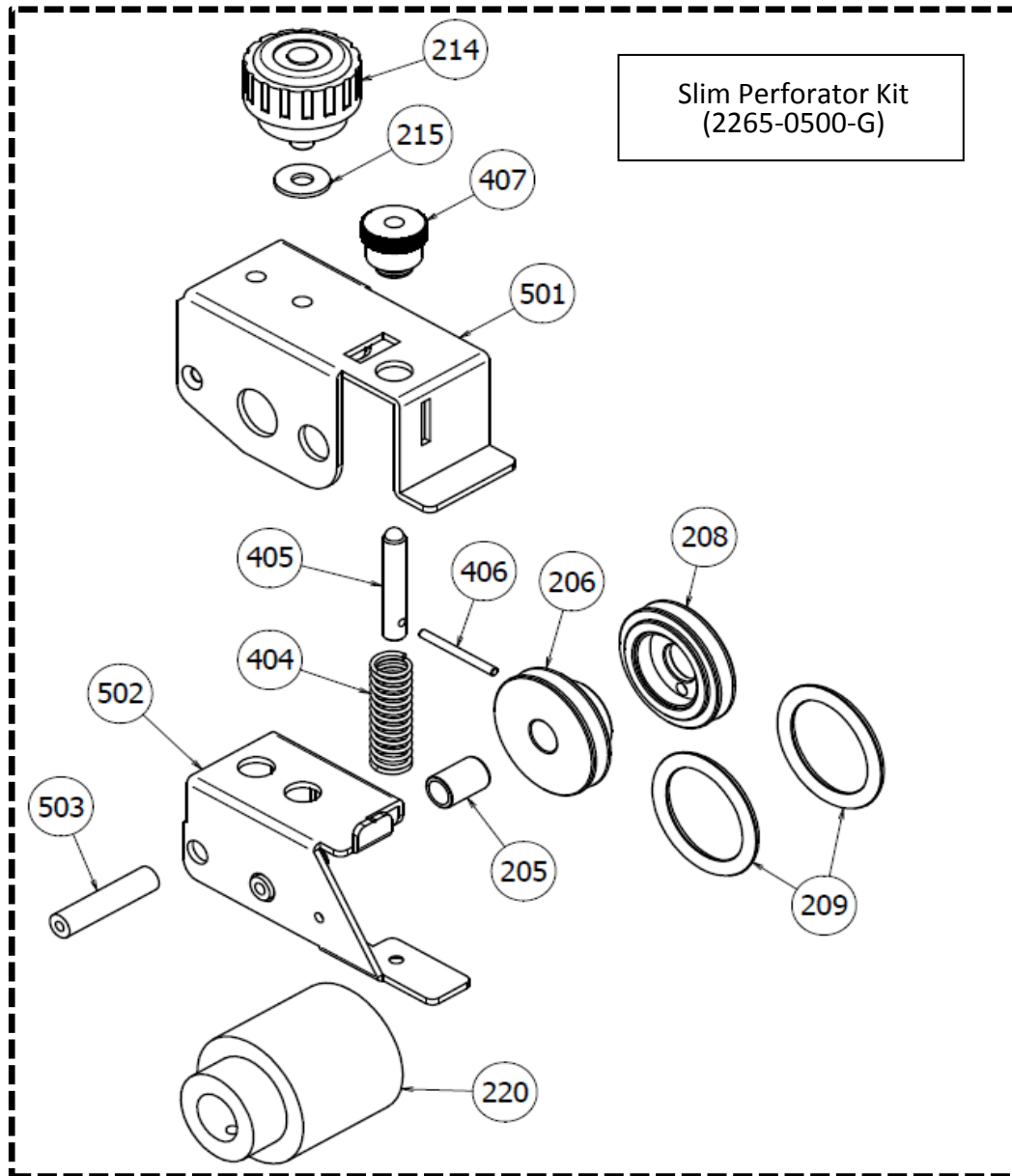


**3-2. Parts List: Thick-Paper Perforating Unit**

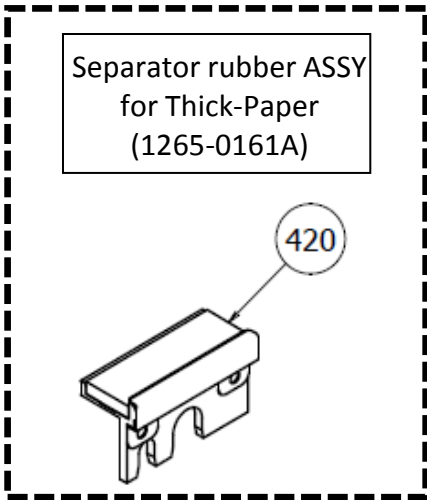
Aug.31.2016

No.	Parts No.	Parts name	QTY	Remarks	No.	Parts No.	Parts name	QTY	Remarks
	2265-0500-F	Thick-Paper Perforator Kit		Configuration by the following parts.					
203	1265-0110	Spacer L13	1						
204	1265-0109	Spacer L8	1						
205	1265-0215	Polymer bearing	1						
206	1265-0206	Cutter boss	1						
208	1265-0207	Fixing wheel	1						
209	0261-0307	Rubber ring NPS24	2						
210	1265-0030	Adjustment knob	1						
211	1265-0108	Waved washer Φ8	1						
212	1265-0107	Polystyrene washer	1						
214	1265-0033	Thumb screw_Misumi	1						
215	1265-0112	Set-washer	1						
401	1265-0152	Perforator chassis for Thick-paper	1						
402	1265-0153	Release lever ASSY for Thick-Paper	1						
	1265-0154	Release lever for Thick-Paper	1	Component parts of No.402.					
	1265-0018	Perforator shaft	1						
	1265-0029	Adjustment nut	1						
403	2265-0181	Perforating blade for Thick-Paper	1						
404	1265-0159	Pressure SP	1						
405	1265-0209	Pressure control screw	1						
406	1265-0217	Reference pin	1						
407	1265-0208	Pressure control nut	1						
420	1265-0161A	Separator rubber ASSY for Thick-Paper	1						
(421)	0145-1810	Separator rubber for Thick-Paper	1	Component parts of No.420.					
	0264-0078	Separator holder	1						
	0264-0081	Separator fitting plate	1						
421	0145-1810	Separator rubber for Thick-Paper	1						

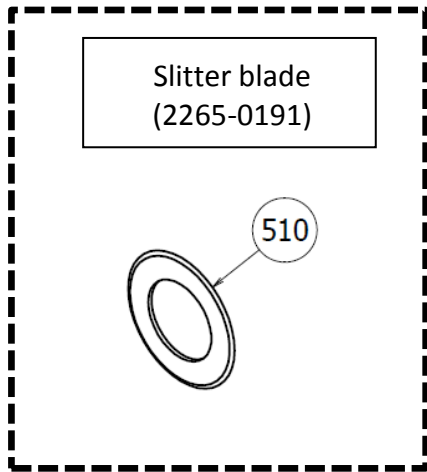
## 4-1. Slim Perforating Unit



Slim Perforator Kit  
(2265-0500-G)



Separator rubber ASSY  
for Thick-Paper  
(1265-0161A)



Slitter blade  
(2265-0191)



4-2. Parts List: Slim-Perforating Unit

Aug.31.2016

No.	Parts No.	Parts name	QTY		Remarks	No.	Parts No.	Parts name	QTY		Remarks
	2265-0500-G	Slim Perforator Kit			Configuration by the following parts.	510	2265-0191	Slitter blade			
205	1265-0215	Polymer bearing	1								
206	1265-0206	Cutter boss	1								
208	1265-0207	Fixing wheel	1								
209	0261-0307	Rubber ring NPS24	2								
214	1265-0033	Thumb screw_Misumi	1								
215	1265-0112	Set-washer	1								
220	1265-0024	Blade receipt roller	1								
404	1265-0159	Pressure SP	1								
405	1265-0209	Pressure control screw	1								
406	1265-0217	Reference pin	1								
407	1265-0208	Pressure control nut	1								
501	1265-0202	Perforator chassis for Slim	1								
502	1265-0153	Release lever ASSY for Slim	1								
	1265-0204	Release lever for Slim	1		Component parts of No.502.						
	1265-0205	Perforator shaft for Slim	1								
503	1265-0216	Spacer	1								
420	1265-0161A	Separator rubber ASSY for Thick-Paper	1								
(421)	0145-1810	Separator rubber for Thick-Paper	1		Component parts of No.420.						
	0264-0078	Separator holder	1								
	0264-0081	Separator fitting plate	1								

5-1. Scoring Unit

